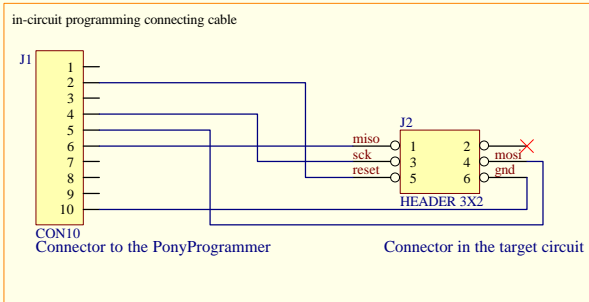
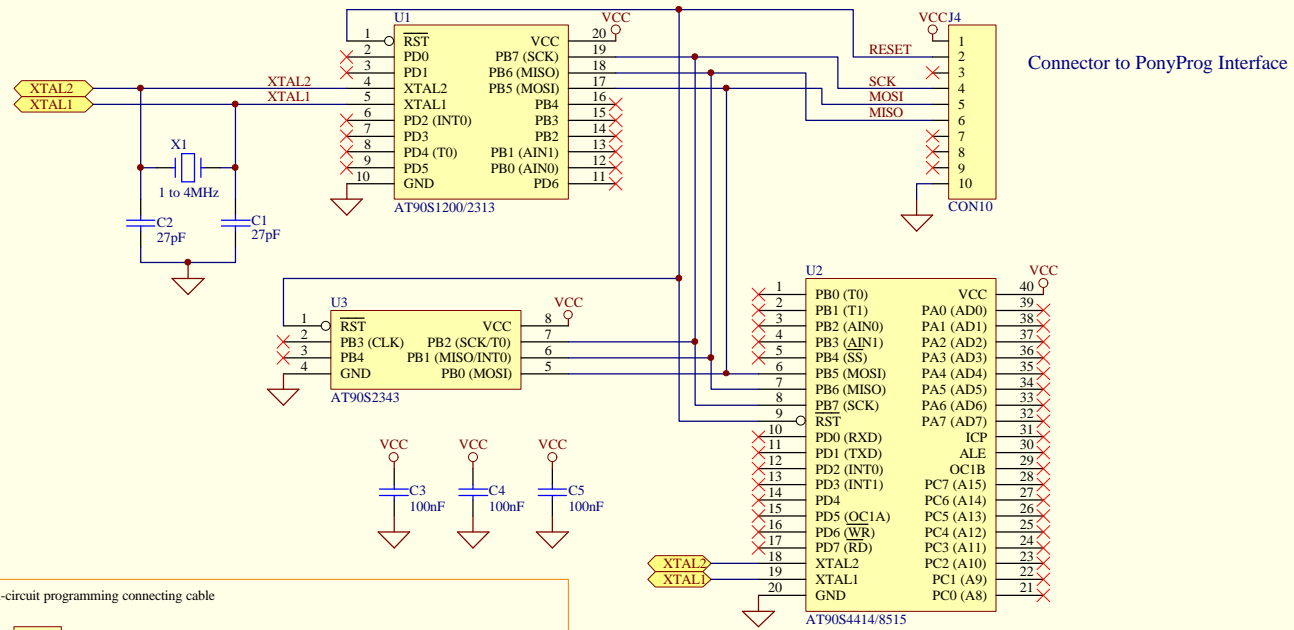
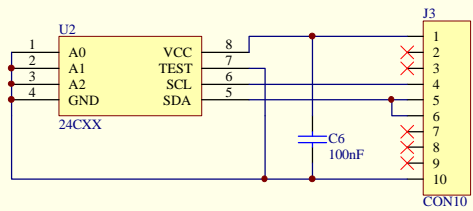


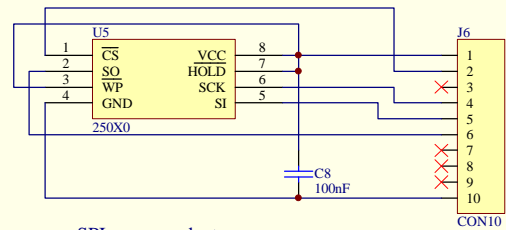
Title			<b>PonyProg - Serial Port Interface</b>		
Size	Number	Revision		2.03	
A4	<a href="http://www.cs.unibo.it/~lanconel">http://www.cs.unibo.it/~lanconel</a>				
Date:	7-Aug-1998	Sheet	of		
File:	C:\DOCUME~1\LANCONEL\PONYPSER.SCH	Drawn By:	<b>Claudio Lanconelli</b>		



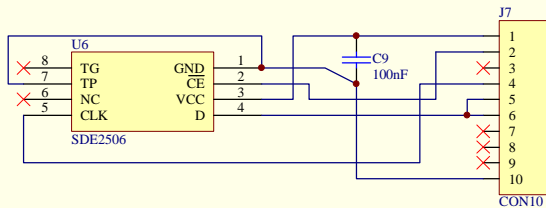
Title		
<b>AVR adapter card for PonyProg</b>		
Size	Number	Revision
A4	<a href="http://www.cs.unibo.it/~lanconel">http://www.cs.unibo.it/~lanconel</a>	2.02
Date:	26-Jul-1998	Sheet of
File:	C:\DOCUME~1\...AVR_PROG.SCH	Drawn By: Claudio Lanconelli



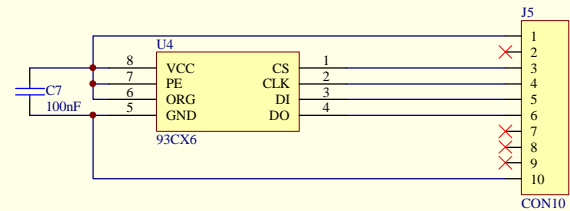
I2C Bus eeprom adapter



SPI eeprom adapter

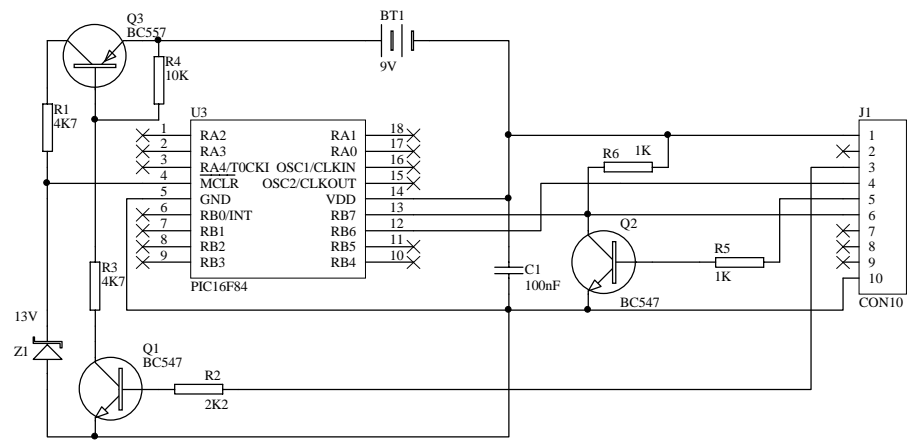


SDE2506 eeprom adapter



Microwire eeprom adapter

Title			<b>Serial eeprom adapter cards for PonyProg</b>
Size	Number	Revision	
A4	<a href="http://www.cs.unibo.it/~lanconel">http://www.cs.unibo.it/~lanconel</a>	<b>2.02</b>	
Date:	26-Jul-1998	Sheet of	2
File:	C:\DOCUME~1\PROTEL\PONYPROG	Author:	<b>Claudio Lanconelli</b>



Title		
PonyProgrammer - PIC16F84 Adapter		
Size	Number	Revision
A4	<a href="http://www.cs.unibo.it/~lanconel">http://www.cs.unibo.it/~lanconel</a>	1.03
Date:	6-Oct-1998	Sheet of
File:	C:\DOCUME-1\PROTEL\AVRPROG\PIC16F84	By: Claudio Lanconelli